

INSTRUCTIONS



INSTRUCTIONS



EXCLUSIVE
SensorDisc

LONG LIFE
BATTERY

For the purpose of proper using & maintaining the kitchen scale, please read this instruction completely before operating.

SPECIFICATION

- High precision strain gauge sensor system
- Capacity: 1000g × 1g; 2000g × 1g; 3000g × 1g
- Temperature display
- Tare function
- Electronic clock, count down timer with alarm
- Automatic zero resetting / auto power off
- Low power/ over-load indicator

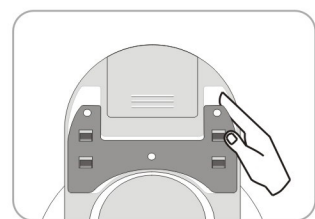
KEY FUNCTION

- "TARE/ON key: ON/OFF; TARE
- UNIT key: Option: g / oz; Setting time
- TIME key: Clock and count down timer setting
- °C/F key: temperature unit option

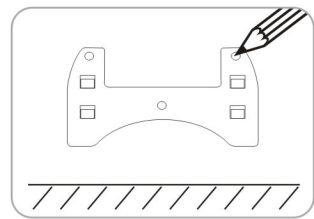


FIXING STEPS

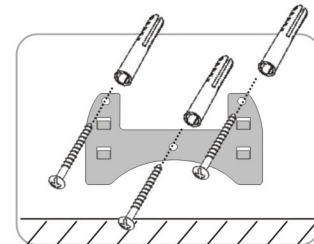
- STEP 1: Take out the scale and prepare all tools.



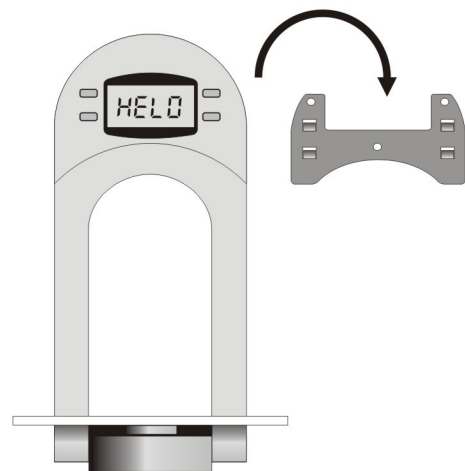
- STEP 2: Choose a convenient height position.



- STEP 3: Fix the base plate firmly to the wall with screws.

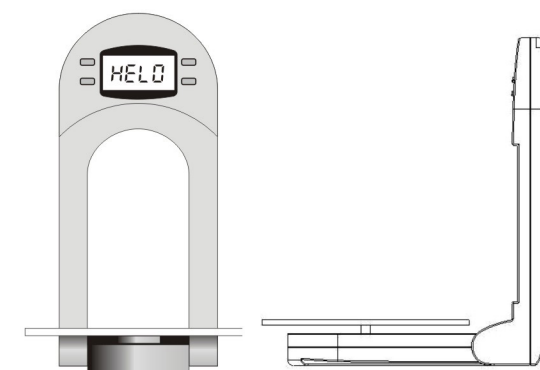


- STEP 4: Fix the scale to the base plate.

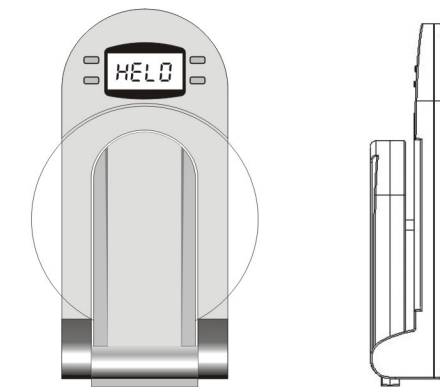


OPEN AND FOLDING

- STEP 1: Slightly open the scale so the weighing parts is vertical to the wall.



- STEP 2: Fold up the scale when finished using.



TIME SETTING

- Press "TARE/ON" to power on.
- Press "TIME" will flash "88", and press it again into time setting function
- Press "°C/F" and "UNIT" to adjust time.
- After adjusting the time, press "TIME" key again and scale will be back to weighing function.
- Press "TARE/ON" for seconds, the scale will power off and keep clock function.

COUNT DOWN TIMER

- Press "TARE/ON" to power on.
- Press "TIME" key till flashing "88".
- Press "°C/F" or "UNIT" setting time (range:1-99 minutes)
- Press "TIME" again, and scale will be back to weighing function and count the time, when time is over, buzzer will alarm.
- Buzzering lasts 21 seconds before you stop it (press "time" key can stop).

WEIGHING STEPS

- Under the clock function, press "TARE/ON" to power on, display will show "0g" after "HELO".



- Press "UNIT" key, to choose unit: g / oz.



- LCD will display the weight after you put food on glass platform.



- When some food already weighing in platform. Press "TARE" and add another food on scale, LCD will display the second food's weight, this function can repeat.



- When you take away all foods, LCD will show the weight before you tare last time.



- Press "TARE/ON" for 3 seconds, the scale will be off and switch into clock function.

TIME SETTING

- Press "Tare/On" button to turn on the scale ("HELO")
- Press & *Hold* "Time" button until the Hour: Minutes is shown at the bottom of the screen (minute will be blinking 1st).
- Press "Unit" button to increase, or "C F" button to decrease.
- Press "Time" button to confirm Minute setting, then repeat step 3 & 4 for Hour setting.
- Time is set by now, & weight mode is on.
- Press & *hold* "Tare/on" button for a few seconds will turn the scale off and back to clock display mode.

BUZZER AND LCD

- Scale will buzzer after power on, and test the temperature of your room.
- Scale will sound "ding" when enter every operation.
- Show "EEEE" on display means overload.
- Show " " means power not enough.

BATTERY

- The scale is powered by 3 × AAA battery.
- When replace batteries please open the cover on back of the scale, and put batteries in box (cathodal forward to spring) and fix the cover.

SCALE KEEPING

- Placing your scale on a hard and flat surface will ensure the greatest accuracy and repeatability
- Clean your scale with a damp cloth but do not allow water to enter the scale. Do not use chemical cleaning agents.
- Remove the batteries if the scale is not being used for a long time. Treat your scale with care. It is a precision instrument. Do not drop it.
- Do not use for legal trade.

